



## Precision Flow Control Instruments

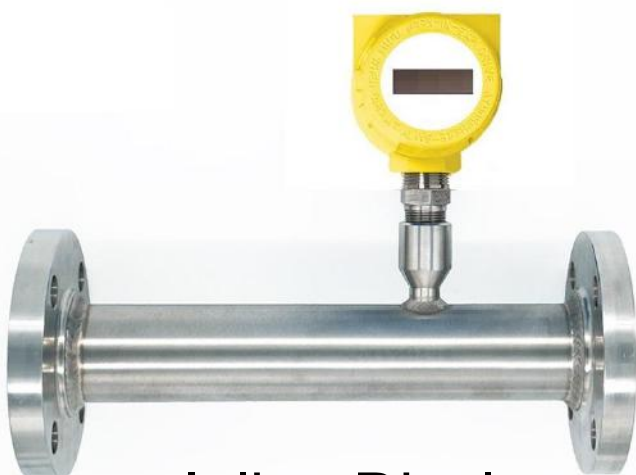
# PTMF-NEW-Series Thermal Mass Flow Meter For LPG/ CNG/PNG/Natural Gas & All Gases Catalog

### Features For LPG/CNG Gas Meter

- ◆ Measuring the mass flow or volume flow of gas;  
Do not need to do temperature and pressure compensation.
- ◆ Wide range: 0.5Nm/s ~ 30Nm/s for gas.
- ◆ Thermal Mass Flow Meter Technology.
- ◆ Easy installation. Flanged End Instruments
- ◆ High Accuracy. Measures Volume or Mass Flow Also.
- ◆ Inhouse Calibration & Certific
- ◆ Works Upto 10 Bar Line Pressures



Remote Display



Inline Display



**Precision Flow Control Instruments**

Phone Nos: 8007731918 Email: info@massflow.in



## Introduction

### What is a Thermal Mass Flow Meter?

A thermal mass flow meter is a precision instrument that measures gas mass flow and is used in various industries with a wide range of applications.

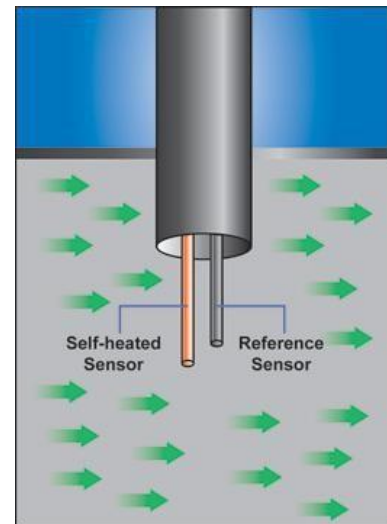
### Working Principle

The thermal mass meter measures gas flow based upon the concept of convective heat transfer.

Either in-line flow bodies or insertion-style probes of the meter support two sensors that interface with the gas being measured. In the case of the Sage meter, the sensors are resistance temperature detectors (RTDs), consisting of extremely durable reference-grade platinum windings clad in a protective 316 SS or Hastelloy C sheath.

One of the sensors is heated by an integrated circuit and functions as the flow sensor, while a second detector acts as the reference sensor, and determines the gas temperature. The proprietary circuitry maintains a continuous overheat between the flow and reference sensor. As gas flows by the heated sensor, flowing gas molecules transport heat away from the sensor and as a result, the sensor cools and the energy is lost. The circuit balance is disrupted, and the temperature difference  $\Delta T$  between the heated RTD and the reference sensor has been altered. Within a second, the circuit restores the lost energy by heating the flow sensor, to adjust the overheat temperature.

The electrical power required to sustain this overheat denotes the mass flow signal.





## Technical Data

Description	Specifications
Measuring Medium	LPG/CNG/PNG/Natural Gas/Methane/All Gases.
Pipe Size	DN10-DN300mm
Velocity	0.1 to 100Nm/s
Accuracy	+/- 0.5%
Working Temperature	Sensor:- 0 + 60 degC    Transmitter:-0 to+60 degC
Working Pressure	Insertion Sensor:medium pressure $\leq 1.0$ Mpa Flanged Sensor:medium pressure $\leq 1$ Mpa
Power Supply	Compact type:                    12VDC    or    220VAC, n Remote type:220VAC,Power consumption
Response Time	1s
Output	Optional:-4-20mA(opto electronic isolation,maximum load 500 $\Omega$ ),Pulse RS485(optoelectronic isolation) and HART
Alarm Output	Optional:-1-2 line Relay, Normally Open state, 10A/220V/AC or 5A/30V/DC
Sensor Type	Standard Insertion, Hot-tapped Insertion and Flanged
Construction	Compact and Remote
Pipe Material	SS304.
Display	2 lines LCD Flow Rate : 4 Digits Totalizer: 8 Digits ( Non Resettable)
Protection	IP65





## Flow Range

**Approximate Flow Ranges. We Manufacture Customised Mass & Volume Flow Meters and We Manufacture As Per Requirements . Approximate Flow Rates For LPG/CNG/PNG/Natural Gas/Methane Gas Flow Measuring Ranges.**

Size	Flow Kg/hr	Max Flow (Nm <sup>3</sup> /h)
10	0 to 3 Kg/hr	Equivalent to G1.6 Volume Gas Meters
15	0 to 5 Kg/hr	Equivalent to G 2.5 Volume Gas Meters
20	0 to 10 Kg/hr	Equivalent to G 4 Volume Gas Meters
25	0 to 30 Kg/hr	Equivalent to G10 Volume Gas Meters
32	0 to 40 Kg/hr	Equivalent to G16 Volume Gas Meters
40	0 to 65 Kg/hr	Equivalent to G25 Volume Gas Meters
50	0 to 100 Kg/hr	Equivalent to G40 Volume Gas Meters
65	0 to 150 Kg/hr	Equivalent to G100 Volume Gas Meters
80	0 to 200 Kg/hr	Equivalent to G160 Volume Gas Meters
100	0 to 400 Kg/hr	Equivalent to G250 Volume Gas Meters
125	0 to 800 Kg/hr	Equivalent to G400 Volume Gas Meters
150	0 to 1200 Kg/hr	Equivalent to G650 Volume Gas Meters

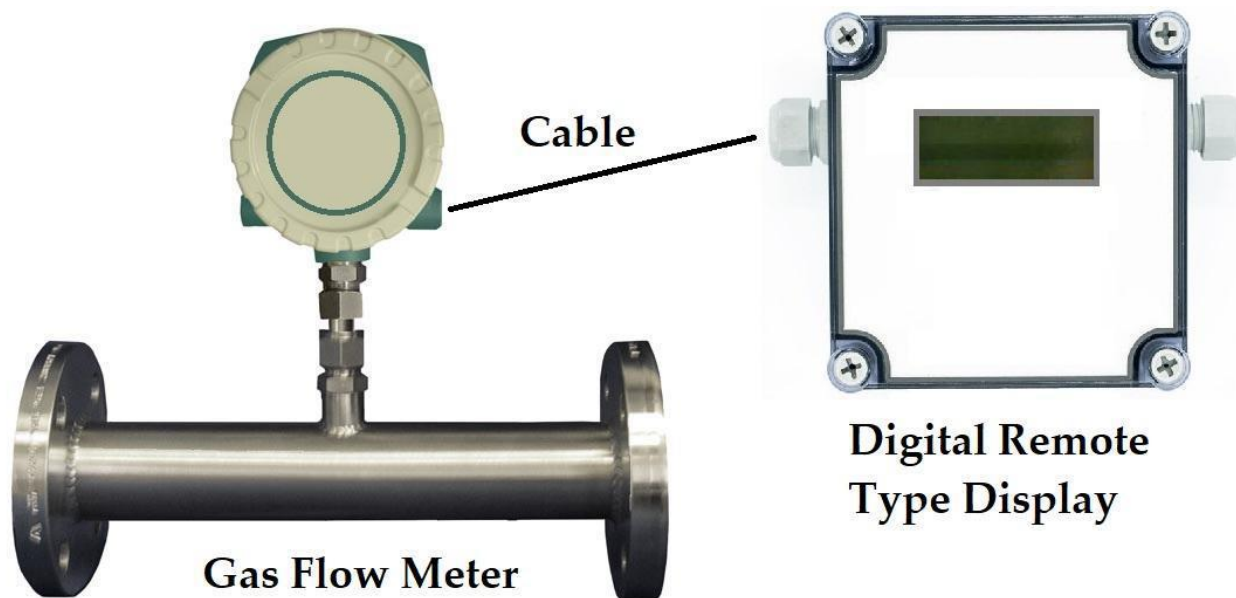




# Precision Flow Control Instruments

## Dimension

Flange type Type With Remote Display Option Only.



Nominal Diameter	Pipeline Length ( Length May Vary Depending On Availability and Requirements.
DN	L
15	280
20	280
25	280
32	350
40	350
50	350
65	400
80	400
100	500



**Precision Flow Control Instruments**

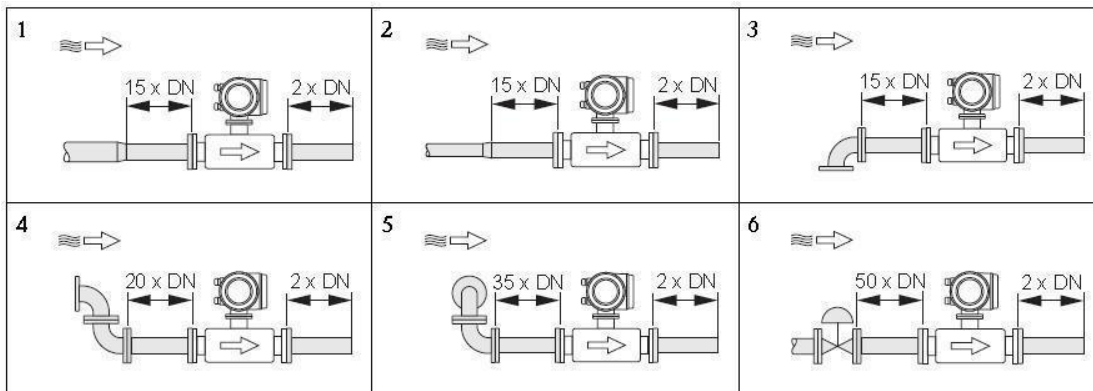
Phone Nos: 8007731918 Email:info@massflow.in



# Precision Flow Control Instruments

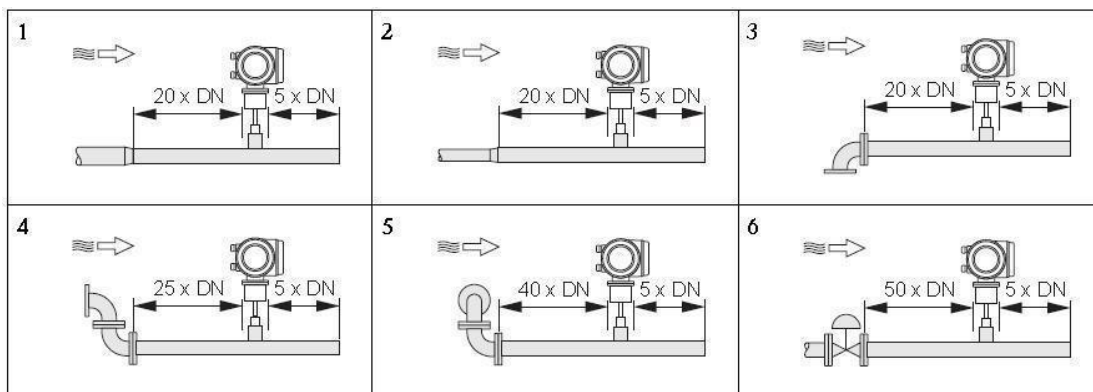
## Installation Notice (without flow conditioner)

### Flange type



1 = Reduction, 2 = Expansion, 3 = 90° elbow or T-piece,  
4 = 2 x 90° elbow, 5 = 2 x 90° elbow (3-dimensional), 6 = Control valve.

### Insertion type



1 = Reduction, 2 = Expansion, 3 = 90° elbow or T-piece,  
4 = 2 x 90° elbow, 5 = 2 x 90° elbow (3-dimensional), 6 = Control valve or pressure regulator.



**Precision Flow Control Instruments**

Phone Nos: 8007731918 Email: info@massflow.in



# Precision Flow Control Instruments



We Have a Presence & Customers in Following Cities, States, UT's and Export Markets.

[Andhra Pradesh](#)  
[Arunachal Pradesh](#)  
[Assam](#)  
[Bihar](#)  
[Chhattisgarh](#)  
[Goa](#)  
[Gujarat](#)  
[Haryana](#)  
[Himachal Pradesh](#)  
[Jammu and Kashmir](#)  
[Jharkhand](#)  
[Karnataka](#)  
[Kerala](#)  
[Madhya Pradesh](#)  
[Maharashtra](#)  
[Manipur](#)  
[Meghalaya](#)  
[Mizoram](#)  
[Nagaland](#)  
[Odisha](#)  
[Punjab](#)  
[Rajasthan](#)  
[Sikkim](#)  
[Tamil Nadu](#)  
[Telangana](#)  
[Tripura](#)  
[Uttar Pradesh](#)  
[Uttarakhand](#)  
[West Bengal](#)

[Andaman and Nicobar  
Islands](#)  
[Chandigarh](#)  
[Dadar and Nagar Haveli](#)  
[Daman and Diu](#)  
[Delhi](#)  
[Lakshadweep](#)  
[Puducherry](#)

[Ahmedabad](#)  
[Australia](#)  
[Bengaluru](#)  
[Hong Kong](#)  
[Chennai](#)  
[China](#)  
[Coimbatore](#)  
[Egypt](#)  
[South Korea](#)



# Precision Flow Control Instruments

---

[Delhi](#)  
[India](#)  
[Nigeria](#)  
[Thailand](#)  
[Goa](#)  
[Gurugram](#)  
[Guwahati](#)  
[Hyderabad](#)  
[Indore](#)  
[Jaipur](#)  
[Jodhpur](#)  
[Kanpur](#)  
[Kerala](#)  
[Kochi](#)  
[Kolkata](#)  
[Lucknow](#)  
[Australia](#)  
[Hungary](#)  
[Mangalore](#)  
[Mumbai](#)  
[Malaysia](#)  
[Oman](#)  
[Kazakhstan](#)  
[Nagpur](#)  
[Nashik](#)  
[New Delhi](#)  
[Noida](#)  
[Saudi Arabia](#)  
[Patna](#)  
[Qatar](#)  
[Vietnam](#)  
[Pune](#)  
[Raipur](#)  
[Rajkot](#)  
[Kenya](#)  
[Solapur](#)  
[Srinagar](#)  
[Surat](#)  
[Thiruvanthapuram](#)  
[Taiwan](#)  
[Tiruchurappalli](#)  
[Tirupati](#)  
[Udaipur](#)  
[Vadodara](#)  
[Varanasi](#)  
[Vijayawada](#)  
[Visakhapatnam](#)  
[UAE](#)



# Precision Flow Control Instruments



## Short Profile:-

Name: M/s Precision Flow Control Instruments

GST:27ACPPW5867N2Z9

Activities: Manufacturing Of Flow Measurement & Control Instruments and Devices.

Entity Type: Proprietary Concern.

Products Manufactured By Us:-

- Mass Flow Meters For All Gases
- Volume Flow Meters For All Gases
- Mass Flow Controllers For All Gases & Liquids
- Volume Flow Controllers For All Gases & Liquids
- Air Velocity Transmitters For Compressed Air , & Low Pressure Air
- Velocity Measurement Instruments For All Gases & Liquids
- Laminar Flow Elements For Turbulence Removal
- Flow Regulators For All Gases & Liquids
- Flow Controllers For All Gases & Liquids
- Flow Sensors For All Gases & Liquids
- Flow Transmitters For All Gases & Liquids
- Flow Switches For All Gases & Liquids
- Flow Transducers For All Gases & Liquids
- Micro Flow Meter and Controllers.

Overall Manufacturing: 3000 Pcs Per Year For All Products Combined.

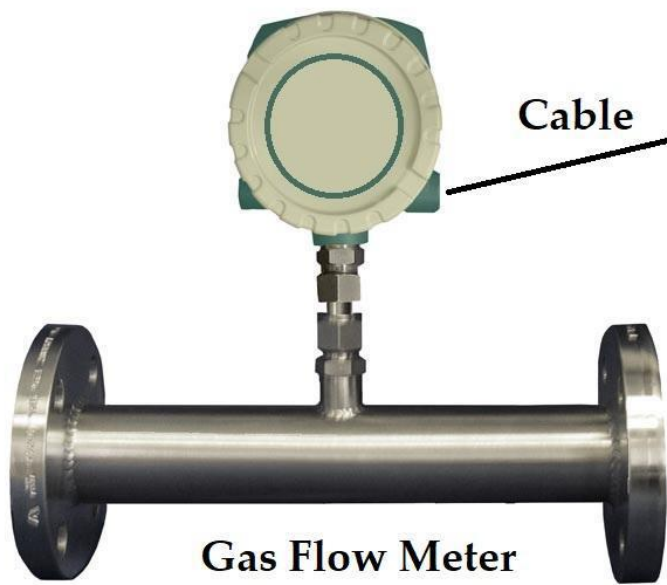
Manufacturing Activities & Setup Laboratory: In Pune.Own Caliberation Laboratory.

Employees & Man Power : We Sub Contract Mostly .

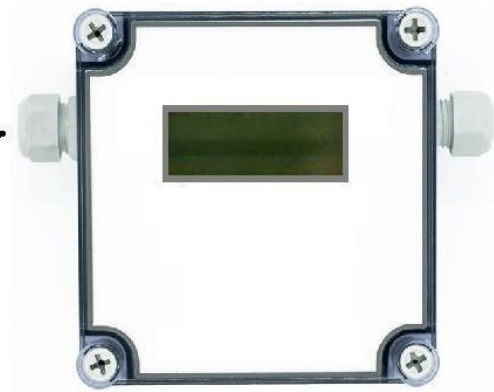
Bankers: PNB.

Sister Concerns: Thori India( Pvt Ltd ) Firm and MFML( Proprietary Firm)

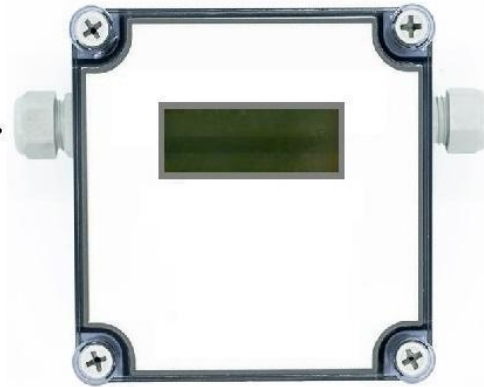
Customers: Over 350 + Limited Companies In India and Export Customers in Almost Countries.



Cable



Cable



Cable

